

# UP & DOWN

Height-Controllable  
Washbasin and sink

Up and down adjustable washbasin and sink  
by water pressure method



# UP & DOWN SYSTEM

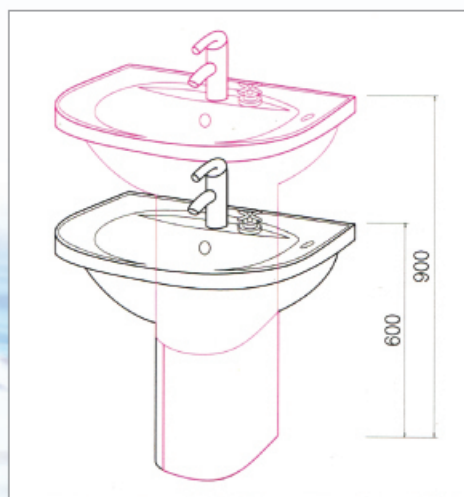
Height-Controllable Washbasin and sink

## Major Features

- The height of the washbasin and sink can be adjusted to suit the the need of children, physically handicapped, the elders and the weak, pregnant women, the tall or the small.
- Anyone can adjust the height by a simple manipulation of the valve.
- The up and down mechanism is operated by the house water pressure only and dose not require electricity or other power sources, and thus eliminates the danger of electrical shocks in humid places and provides silent operation.
- Varieties of luxurious designs are offered and guarantees long durability.

## Specification

1. Washbowl Material – Ceramic, Marble
2. Model



3. Height adjustable range
  - Highest adjustable height : 900mm
  - Lowest adjustable height : 600mm
4. Installation specifications for washbasin (Model No. UND101)
  - Height of hot and cold water pipes : 350mm
  - Distance between hot and cold water pipes : 80mm
  - Height of wall drainage : 150mm
  - Distance of floor drainage from the wall : 130mm
  - Drain Pipe / Trap : use of P-trap and S-trap